

# CS1500™ Crane Scales

Low-Cost, High Performance Digital Crane Scale



***Standard Wireless Communication, Large Displays, NTEP Certification, Industry-Leading Battery Life.***

With large, easy-to-read LCD or LED displays, CS1500™ high performance crane scales are available in a range of capacities from 500lb (250kg) to 20,000lb (10,000kg), are NTEP certified, and boast best-in-class battery life. Both models come standard with RFX™ Wireless Weighing Technology enabling cable-free control and monitoring of scales. They also feature an optional USB/RS232 output, multi-scale communication, and a multitude of remote display options.

**Intercomp**  
advanced weighing technology . . . by any measure

# CS1500™ Crane Scales



Large, 1" (25mm)  
Easy-to-Read, LCD Display

Large, 1.5" (38mm)  
High Visibility LED  
Display!



Accuracy of  $\pm 0.1\%$  of Reading

500lb (250kg) to 20,000lb (10,000kg) Capacities

Fully Integrated RFX™ Wireless Weighing Technology

NTEP Certified Models Available

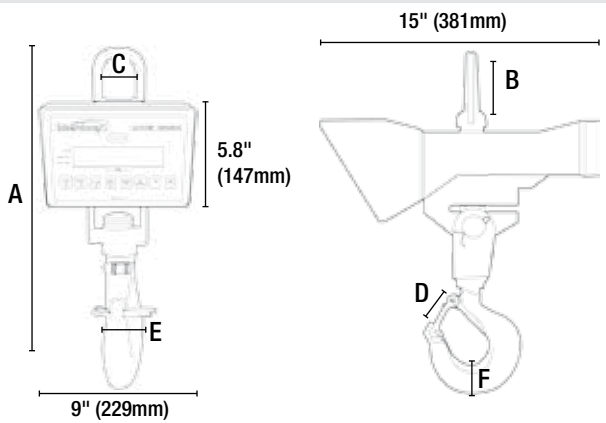
Commercially Available Alkaline D-Cell Batteries Last up to  
3,000 Hours in LCD Scale, 500 Hours in LED



IP65 Protection

**Includes:**

- Alkaline Batteries
- Top Eye Hook
- Bottom Swivel Hook
- Infrared Remote Control with Batteries



CAPACITY/GRADUATION	A*	B*	C*	D*	E*	F*
500x0.2lb (250x0.1kg) 1,000x0.5lb (500x0.2kg)	10" (267mm)	2.38" (61mm)	2" (51mm)	1" (25mm)	1.38" (35mm)	0.84" (22mm)
2,000x1lb (1,000x0.5kg)	12" (292mm)	2.38" (61mm)	2" (51mm)	1" (25mm)	1.38" (35mm)	0.84" (22mm)
5,000x2lb (2,500x1kg) 10,000x5lb (5,000x2kg)	19" (482mm)	2.88" (73mm)	2.25" (57mm)	1.69" (43mm)	2.5" (64mm)	1.82" (46mm)
20,000x10lb (10,000x5kg)	23" (584mm)	3.5" (90mm)	3.12" (80mm)	2.41" (62mm)	3.25" (83mm)	2.6" (66mm)

\*Specs are based on industry-standards, please call if your application has precise measurement requirements.

**Performance**

Accuracy:  $\pm 0.1\%$  of Reading

**Controls**

General: Zero, lb/kg, Mode, Tare, Accum, Total, On/Off  
 Display: LCD or LED  
 Characters: LCD - 1" (25mm)  
 LED - 1.5" (38mm)

**Options & Accessories:**

- RS232 Serial Output & Direct Power Connector
- External Battery Charger
- Rechargeable Batteries
- Direct Power Cable (100-250VAC Supply)
- Serial Output Cable, RS232/USB
- Thermal Printer

**Environmental**

Humidity: 10 to 95% Non-Condensing  
 Temperature: -4° to 140°F (-20° to 60°C)

**Physical**

Overload: 200% of Capacity

**Electrical**

Battery: 8 x D-Sized Alkaline  
 Battery Life: LED - 500 Hours (9,000 Hours in Stand-By)  
 LCD - 3,000 Hours (9,000 Hours in Stand-By)

info@intercompcompany.com

Worldwide: +1 763-476-2531

Toll Free: 800-328-3336



intercompcompany.com

Specifications subject to change without notice.

CE ISO 9001:2008  
Registered



Printed in the U.S.A.

700721