

# LP600-15T™ Scales

Portable Truck Weighing Solution for Overload Enforcement



## ***Fast, Reliable and Cost-Effective Solution to Protect Roadways and Concentrate Enforcement Almost Anywhere.***

To protect roads from overload damage and safety hazards, portable scales allow enforcement capabilities to go to locations not served by permanent weigh stations. Providing weighing capacities up to 30 tons per axle, this system is designed for weighing heavy vehicles on unimproved surfaces. The LP600-15T™ system weighs axle-by-axle in static mode, using just two scales, while extension levelers keep axle groups on a level plane, providing  $\pm 1\%$  accuracy.

The scales and CPU communicate via Intercomp's RFX™ Wireless Weighing Technology and are powered by commercially available batteries. Progressive solar charging technology allows scales to be powered for up to one year with daytime, outdoor use. Systems can be transported in the trunk of a vehicle and set up by 1 or 2 people in under fifteen minutes.

**Intercomp**  
advanced weighing technology . . . by any measure

# LP600-15T™ Low-Profile Wheel Load Scales



NTEP Certified Models Available

Capacities:  
15 Tons  
10 Tons (NTEP)

Low-Profile Height of Just 1.5" (38mm)

Accuracy of  $\pm 1\%$  of Reading or  $\pm 1$  Graduation,  
Whichever is Greater



Solar Boost Provides up to  
One Year of Battery Life with  
Daytime, Outdoor Use

Large LCD Display with Backlight for  
Easy Readings from Scales

Integrated Indicator with Comprehensive  
Push Button Controls Include:  
On/Off, Local/Total, Zero & Print/Accum



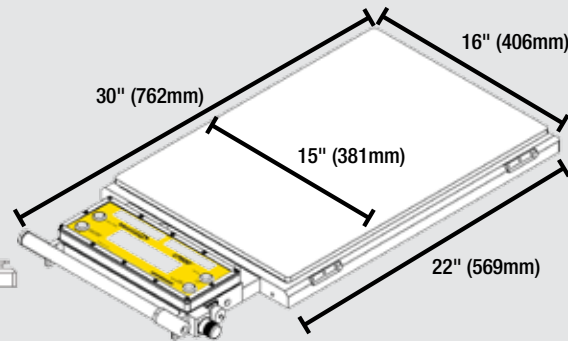
RFX™ Wireless Weighing  
Technology Provides Cable-Free  
Communication with a Variety of  
Indicators, Apps & Software



Levelers Roll Up for  
Easy Transport



1.5" (38mm)



30" (762mm)

16" (406mm)

15" (381mm)

22" (569mm)

## Compatible with These Intercomp Devices



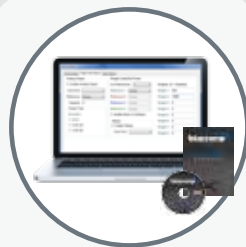
### Wireless Handheld Weighing Indicator

Easily process weight related data to monitor and control loads in a compact, handheld device.



### PT20™ CPU

Enclosed in a rugged, weather-resistant case, this portable weight management CPU features wireless communication and integrated printer; ideal for remote use.



### IntercompWeigh™ Software

Manage any weighing process, view scale data, customize layouts and generate reports in one, easy-to-use program.

(PC Not Included)



### iVehicleWeigh™ Scale App

Input weight data into an iPhone®, iPod® or iPad® to save and email information easily and conveniently.

Available for download  
**FREE** on the App Store.



### S400™ Display & Wireless Printer

Offers wireless communication with scales through the RFX™ Data Converter.

info@intercompcompany.com

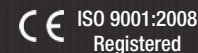
Worldwide: +1 763-476-2531

Toll Free: 800-328-3336



intercompcompany.com

Specifications subject to change without notice.



Printed in the U.S.A.

700725