

LP600-15T™ Scales

Low-Profile, Lightweight Digital Wheel Load Scales



CERTIFIED



The Axle Weighing Specialist



A Portable Solution for Ensuring Weight Compliance

The LP600-15T™ system weighs axle-by-axle in static mode, using just two scales, while extension levelers keep axle groups on a level plane, providing $\pm 1\%$ accuracy. The system is ideal for customers weighing heavy vehicles on improved surfaces. It

can be transported in the back of a vehicle and set up by one or two people in under 15 minutes.

Progressive solar charging technology allows the commercially-available AA rechargeable batteries to be powered for up to one year with daytime, outdoor use. Fully integrated RFX® Wireless Weighing Technology makes it possible to communicate with a variety of Intercomp weighing indicators.

LP600-15T™ LOW-PROFILE WHEEL LOAD SCALES



NTEP/OIML Certified Models Available

Accuracy of ±1% of Reading

Available in System Capacities to 60,000 lb (30,000 kg)

Large LCD Display with Backlight for Easy Readings from Scales



Ramps/Levelers Roll Up for Easy Transport

Low-Profile Height of
1.5" (38 mm) for 20K Scales
1.7" (43 mm) for 30K Scales

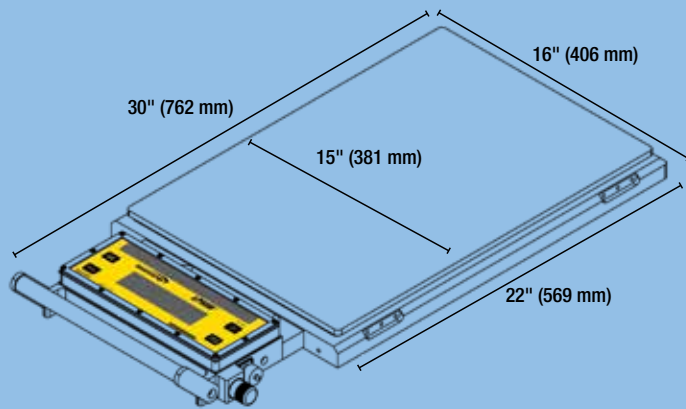
Rugged, Lightweight Aluminum Construction Built to Withstand Heavy Use; Ideal for Unimproved Surfaces

Solar Power Provides up to One Year of Battery Life with Daytime, Outdoor Use (up to 250 hours without Solar Power, batteries included)

Integrated Indicator with Comprehensive Push Button Controls Include:
On/Off, Local/Total, Zero & Print/Accum



RFX® Wireless Weighing is not a standard feature on all models. Models are available without this feature.



Compatible with these Intercomp Devices (Sold Separately)



HH™ Series Weighing Indicators



PT20™ Weighing CPU



IntercompWeigh™ Software



iVehicleWeigh™ Software



Displays & Printers

info@intercompcompany.com
Worldwide: +1 763-476-2531
Toll Free: 800-328-3336

© 2020 Intercomp Company



Specifications subject to change without notice.
CE ISO 9001:2015 Registered
Made in U.S.A.

Printed in the U.S.A.

700725