

PT300™ Wheel Load Scales

Self-Contained, High-Capacity
Portable Wheel Load Scales



CERTIFIED

The Axle Weighing Specialist



The Industry Standard in Digital Wheel Load Weighing

PT300™ scales have been setting the bar for portable, self-contained, compact wheel load scales for decades. Used to maximize legal payloads with concern for violations and reduction of maintenance due to overload stress on equipment, these all aluminum, fully electronic scales are capable of weighing up to 25,000 lb (11,300 kg) with an accuracy of $\pm 1\%$.

Progressive advancements in weighing technology have opened the doors to improving on this time-tested industry standard. Today, PT300™ scales are built with fully integrated RFX® Wireless Weighing Technology, providing the ability for scale data to be received, recorded, and observed on a variety of indicators, as well as to control scale functions remotely.

In addition, battery life has been significantly enhanced with the use of solar panels that will power the scales for up to a year before needing direct power charging with daytime outdoor use.

PT300™ WHEEL LOAD SCALES



Accuracy of $\pm 1\%$ of Reading

Available in Capacities to 25,000 lb (11,300 kg) per Pad

Large LCD Display with Backlight for Easy Readings from Scales

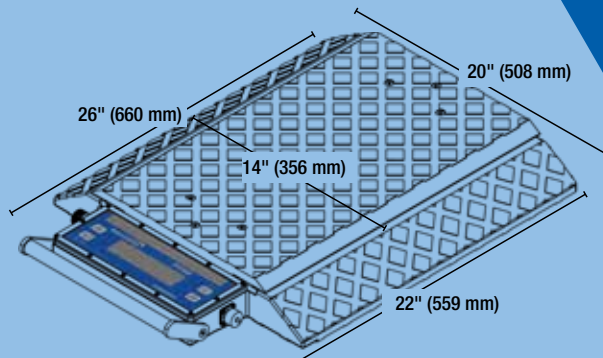
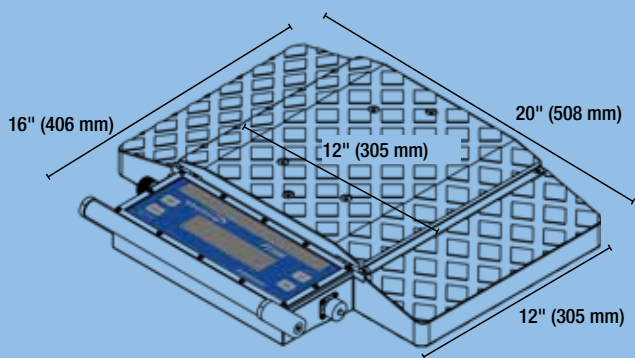


Rugged, Lightweight Aluminum Construction Built to Withstand Heavy Use; Ideal for Unimproved Surfaces

Solar Power Provides up to One Year of Battery Life with Daytime, Outdoor Use (up to 250 hours without Solar Power, batteries included)

Integrated Indicator with Comprehensive Push Button Controls Include: On/Off, Local/Total, Zero & Print/Accum

RFX® Wireless Weighing is not a standard feature on all models. Models are available without this feature.



Compatible with these Intercomp Devices (Sold Separately)



HH™ Series Weighing Indicators



PT20™ Weighing CPU



IntercompWeigh™ Software



iVehicleWeigh™ Software



Displays & Printers

info@intercompcompany.com
Worldwide: +1 763-476-2531
Toll Free: 800-328-3336

© 2020 Intercomp Company



Specifications subject to change without notice.



Printed in the U.S.A.

700730