

LP600™ Wheel Load Scales

Low-Profile, Lightweight Digital Wheel Load Scales



Maximize Legal Payloads & Reduce Maintenance Due to Overload Stress on Equipment

Starting at a scale pad weight of 45 lb (21 kg), with a profile of just 1.5" (38 mm), the LP600™ Low-Profile Wheel Load Scale weighs loads up to 30,000 lb (15,000 kg) with an accuracy of $\pm 1\%$. Progressive solar charging technology allows the commercially available AA rechargeable batteries to be powered for up to one year with daytime, outdoor use.

Fully integrated RFX® Wireless Weighing Technology makes it possible to sequentially couple and number scales in a series for total weight and scales can be linked to a multitude of Intercomp weighing indicators. For customers whose local regulations prevent the use of wireless communications, radios can be disabled or Intercomp offers a full line of hard-wired alternatives.

LP600™ LOW-PROFILE WHEEL LOAD SCALES



NTEP/OIML Certified Models Available

Accuracy of $\pm 1\%$ of Reading

Available in System Capacities to 60,000 lb (30,000 kg)

Large LCD Display with Backlight for Easy Readings from Scales



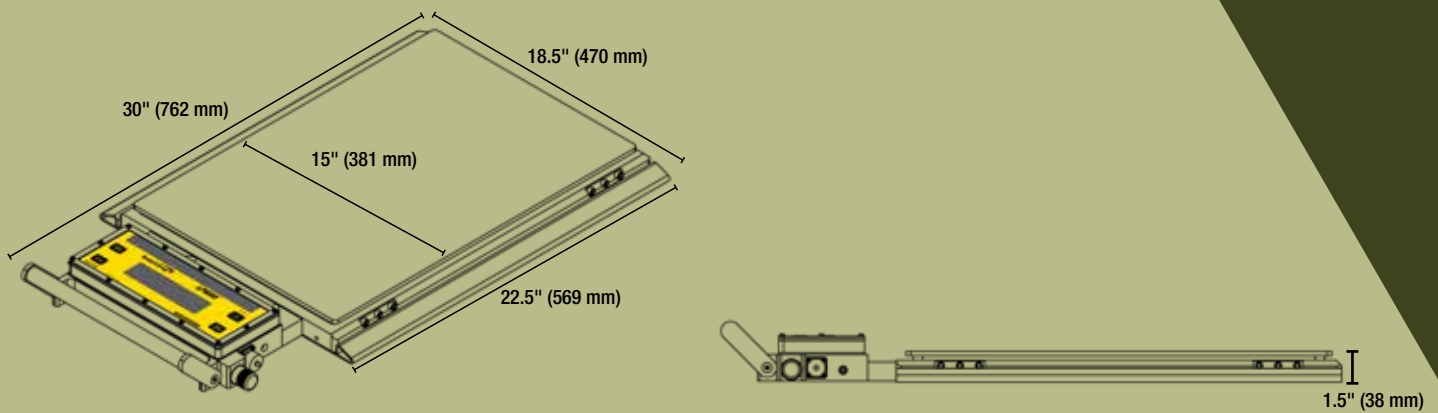
Low-Profile Height of Just 1.5" (38 mm)

Rugged, Lightweight Aluminum Construction Built to Withstand Heavy Use; Ideal for Unimproved Surfaces

Solar Power Provides up to One Year of Battery Life with Daytime, Outdoor Use (up to 250 hours without Solar Power, batteries included)

Integrated Indicator with Comprehensive Push Button Controls Include: On/Off, Local/Total, Zero & Print/Accum

RFX® Wireless Weighing is not a standard feature on all models. Models are available without this feature.



Compatible with these Intercomp Devices (Sold Separately)



HH60™ Weighing Indicators



PT20™ Weighing CPU



TS30™ Touchscreen CPU



Thermal Printer

info@intercompcompany.com
Worldwide: +1 763-476-2531
Toll Free: 800-328-3336

© 2022 Intercomp Company



Specifications subject to change without notice.
CE ISO 9001:2015 Registered
Made in U.S.A.

Printed in the U.S.A.

700682-MIL